



# THURUNKA

September 2010

Newsletter of the  
Royal Australian Signals Association (NSW) Inc.

Patron MAJGEN R.P. Irving AM PSM RFD (Retd)

President:  
Mr C.J. (Chris) Ballantine  
8/62-64 Lynwood Avenue  
CROMER NSW 2099  
Ph: 02 9972 4957  
Mobile: 0431 422 247  
[cjb47@optusnet.com.au](mailto:cjb47@optusnet.com.au)

Secretary  
Mr M. (Mike) McEvoy  
13 Mitchell Road  
MOSMAN NSW 2088  
Ph: 02 9968 1777  
[mmcevoy@bigpond.net.au](mailto:mmcevoy@bigpond.net.au)

Editor:  
Mr K.W.G. (Ken) Forway  
28 Mendelssohn Avenue  
EMERTON NSW 2770  
Ph: 02 9628 7511  
Mobile: 0402 373 494  
[thurunka@hotmail.com](mailto:thurunka@hotmail.com)

## Coming Events - 2010

Update your diary NOW!

|                               |                |          |                         |
|-------------------------------|----------------|----------|-------------------------|
| Committee Meeting 5           | Wed, 29 Sep    | 1800 hrs | RACA Club               |
| * Eastern Region Corps Dinner |                | 1900 hrs | TBA                     |
| Annual Memorial Service       | Sun, 14 Nov    | TBC      | Signal Hill, South Head |
| Annual General Meeting        | Sun, 14 Nov    | TBC      | Paddington RSL Club     |
| Rhumb Corps Luncheon          | Wed, 1 Dec     | 1200 hrs | CTA Club                |
| * Committee Luncheon          | Sun, Dec       | 1200 hrs | Date TBA                |
| THURUNKA December edition     | Early-December |          |                         |

\* TBA: Dates and details to be announced. TBC: Dates and details to be confirmed

NB: Dates and details of events may change but are constantly reviewed in an attempt to advise changes to members in a timely manner.

## In this issue

### Coming Events

- ER Corps Dinner
- Annual Memorial Service & AGM

### Recent Events

- Reserve Forces Day 2010
- Association Matters
- VALE / Sick Parade
- Corps matters
- Queen's Birthday Honours FYI

- Vietnam vets homage
- Men's health
- Vietnam on canvas
- Wearing of head dress
- Military History
- Return to Malaysia
- Signals in Darwin
- 'Fuller' telephone
- Signals colour patches
- Letters, emails & faxes
- Tail-end Charlie
- Victoria Cross

Eastern Region  
Combined Offrs/Sgts

**RA Sigs  
Corps Dinner**

See inside for details  
and registering  
procedure.

## Annual Memorial Service

Signal Hill, South Head  
**14<sup>th</sup> November, 2010 at 1100hrs**  
Assemble 1045hrs for 1100hrs

Followed by

**RA Sigs (NSW) Inc.**  
**Annual General Meeting - 1230hrs**  
**Paddington RSL Club**

Followed by a 'get-together luncheon' with  
members and friends.

See Attachment at end of THURUNKA for full details

## Next Issue

Copy for the next issue of  
THURUNKA must be in  
the hands of the Editor,  
Ken Forway,  
28 Mendelssohn Avenue  
EMERTON 2770.

Or by e-mail:

[thurunka@hotmail.com](mailto:thurunka@hotmail.com)

NO LATER THAN  
Fri 12<sup>th</sup> November 2010.

## Coming Events

### Eastern Region Corps Dinner - 2010

Details are not yet available for the Eastern Region RASigs Corps Dinner. Owing to unit commitments the dinner date could be in October, November or December.

If you wish to attend, please register with a committee member, (refer to the front page) then we will advise you as the details become known to us.

### Annual Memorial Service and Annual General Meeting

The date of the Annual Memorial Service and the AGM has been set to Sunday, 14<sup>th</sup> November, 2010. The timings and venues are planned to follow previous years; that is 1100hrs for the memorial service at Signal Hill and 1230hrs at the RSL club. Please refer to the attachment at the rear of *THURUNKA* for the Agenda for the AGM (with Nomination Form) and the Financial Statement.

If anyone is considering nominating for the committee (which is encouraged), please contact either the President or Secretary for a brief on duties and responsibilities.

## Recent Events

### RESERVE FORCES DAY PARADE, SYDNEY 2010

Reviewed by Her Excellency  
Ms Quentin Bryce AC CVO  
Governor-General of the  
Commonwealth of Australia.

As the winter sun pierced the shadows of the Sydney Domain on Sunday 4<sup>th</sup> July 2010, Army, Navy and Air Force Reservists began to form up with Association Standards and Banners flying in the gelid breeze.

Thirteen chooks with an average age of 67 years were eventually formed into the semblance of order under the watchful eye of the Association Sergeant-Major, Barry Izzard. When the Banner was found lying in the grass with a lack of cadets to carry it, two of our members volunteered to march it on and form up at the side of the parade reducing our contingent to a mere eleven.

We marched on to the Domain to the airs of Army Band Sydney, the NSW Police Brass Band and a Scottish pipe band. After a ten minute delay, the Reviewing Officer, Her Excellency Quentin Bryce, AC CVO, Governor-General of Australia arrived in an open vintage Army staff car accompanied by a troop of NSW Mounted Police and a troop of mounted Light Horse. Two Ferret armoured cars held the ground. The Host Officer was Air Marshal Mark Binskin, AM, Chief of Air Force. An unknown Federal politician turned up to represent the Prime Minister.

Overall turn-out on the parade was very good with the troops barely fitting onto the parade ground. Last year the Reviewing Officer was the NSW Governor who used a golf buggy to review the parade however this year the Governor-General spent at least twenty minutes reviewing the parade on foot with the National President of the Reserve Forces Day



The Governor-General, Her Excellency Ms Quentin Bryce AC, reviewing the R & F of the RASigs Ass'n (NSW) at the Domain, Sydney, RFDay 2010.

Committee, the Honourable Sir Lawrence Street, AC KCMG QC who is well into his eighties.

Following the parade, about a dozen members met at the Ship Inn at Circular Quay for fellowship and refreshments.

Attendance at the annual RFD parades has ranged between only ten to twenty members which is disappointing given the number of CMF/Reservists who have served in the Corps in NSW over the years. It is also disappointing that our younger Reserve members do not attend, leaving it as usual to the old and bold who are finding it harder to support these activities. Most of the other Corps and Unit Associations are well represented on the parade, especially the National Servicemen's Association that includes quite a few Sigs.

For all the CMF/Reserve members of the Association, make a note in your diaries that the parade is held on the first Sunday of July each year and make the effort to attend.

*Chris Ballantine*

# Association Matters

Association website: <http://www.rasigs.com/nsw>

## Items for Sale - update

Association items held by the Treasurer for sale to its members were advertised in the last edition of *THURUNKA*.

Please note that the Association ties are now Thirty-five dollars (\$35) each; and There are NO Association Car Badges left. We have run out and are not able to re-order.

Do not forget, for berets and Corps badges etc., you are referred to commercial retail outlets which deal in military paraphernalia.

## Changes in NSW Legislation Regarding Associations

*I have been advised by our Secretary/Public Officer of certain changes to the regulations that control Associations such as ours. Mike has reviewed these changes and has asked us to include this brief in the pages of THURUNKA.*

*Should you have any enquiry concerning this matter you are referred directly to our Secretary/Public Officer, Mike McEvoy. Contact details on the front page.*

Effective from 1<sup>st</sup> July, 2010 the Associations Incorporation Act 2009 the new Associations Incorporation Regulation 2010 commenced. Our Secretary Mike McEvoy, who is also the Association's Public Officer for the purposes of the Act and Regulation, has reviewed the requirements of the legislation and found that the Association is fully compliant. Under the changes to the legislation it is not a requirement for the Association's Annual Report and Financial Statement to be audited since we are ranked a Tier 2 sized association. However, our constitution does require that "An Annual Report and Audited

Financial Statement for the previous financial year are to be presented at the Annual General Meeting"...and therefore we will continue to have the books audited.

Regards,

*Mike McEvoy*

Secretary

RASigs Ass'n (NSW)

**Welcome**

We welcome our New Member, **Bill Ireland** - ex-504 ASSU, 130 Sig Sqn. In welcoming you to the Association, we trust that your membership will be a positive experience to us all.

## Release of Members' Contact Details

You may be aware that former Corps member and Vietnam Veteran, Ted (Blue) Hawkins from Queensland, maintains an extensive database of former Corps members and in particular, Vietnam Veterans. This unofficial database is widely used by current and former Defence Force members to contact old mates etc. The Army itself has used Ted's e-mail contact system to disseminate information.

From time to time Ted needs to update the information on his database and just recently has requested a copy of our Association's current membership database.

Given the committee's responsibility to respect the privacy of our members and to ensure privacy legislation is not breached, the committee has agreed on the following procedures:

a. The Association will provide Ted Hawkins from time to time with a copy of our membership database disclosing only the member's full name and

postcode.

b. Having confirmed that a person is a member of our Association, the enquirer will be put in contact with the President, Secretary or Membership Officer.

c. The committee member will confirm the enquirer's bona fides before providing the member's contact details (address, telephone number, e-mail address).

Any member who does not wish for his/her contact details to be provided without their prior approval should contact a committee member and a record will be kept.

If you have any concerns in general, please advise the Secretary.

*Chris Ballantine*

President

## New e-mail address for THURUNKA

Finally, eventually and at last the Editor is going wireless broadband and is dropping his current carrier for a new one. As a result he is not maintaining his Optusnet account and so has to find another e-mail address for *THURUNKA*, among all his other e-addresses. The Editor has decided to use hotmail as his mailbox in an attempt to avoid having to change e-mail addresses again. The new e-mail address is [thurunka@hotmail.com](mailto:thurunka@hotmail.com) and is effective immediately.

So please update your directories to keep up with this momentous change of the Editor in moving to broadband. The Editor thanks you for your assistance in this matter.

*Ken Forway*

Your Arid Reporter

**THURUNKA**



### VALE - Colonel Wolfe Cox

From: Barry R Tinkler  
 Sent: Saturday, 7 August 2010 2:43 PM  
 Subject: Vale Colonel Wolfe Cox (Ret)  
 I just received word that Col Wolfe Cox (Ret) died in Melbourne this afternoon (7 Aug). He was 93.

Those older blokes, like me, will remember him from his appointments as 2IC 2 Div Sig Regt, OC 1 Bde Sig Sqn, CO 1 Div Sig Regt and CI School of Sigs.

I was his ADJT in 1 Div Sig Regt for two years. I later became his son-in-law after my return from Vietnam. His wish was that his funeral arrangements would remain private.

*Barry Tinkler*

### VALE - Howard Patterson

219460 Howard Patrick Patterson  
 110 Sig Sqn Vietnam  
 Date of Birth 16 March 1949

<http://www.vietnamroll.gov.au/VeteranDetails.aspx?VeteranId=1279669>

It is with sadness and regret that we have been advised of the passing of another valued servant of Australia and the Royal Australian Corps of Signals. Howard was a member of the RASIGS Assn NSW and will be sorely missed by his family and friends.

Regrettably, we have no further details of Howard's passing but we thank Geoff Chamberlain for advising us.

*Lest We Forget*

# SICK PARADE



### Tony Staas

Our long term Association member and Vice President, Tony Staas, is having quite a health battle. Having previously undergone treatment for lung cancer he has been subsequently diagnosed with a brain tumour and has recently undergone experimental ray treatment at the Macquarie University Hospital after a lengthy stay in St Vincent's Private Clinic, Darlinghurst.

I have visited Tony on three occasions. Tony is currently in Delmar Private Hospital, Dee Why undergoing rehabilitation. He has significant loss of control over his left arm and leg that prevents him walking un-assisted. I visited Tony on 12th August 2010. He is in good spirits and is hopeful of regaining full mobility and getting home. I'm sure we all have similar hopes. He may be moved to Mona Vale Hospital in the future.

*Chris Ballantine*



## CORPS MATTERS

**RASIGS** Corps website: <http://www.defence.gov.au/army/RASIGS/default.htm>

## Queen's Birthday Honours

### RASIGS

The following RASIGS personnel were listed in Brisbane's Courier-Mail newspaper and received awards in this year's honours list.

LTCOL Steven John FRANKEL CSC, SO1 Comms, IS & EWD, AHQ

[http://www.itsanhonour.gov.au/honours/honour\\_roll/search.cfm?aus\\_award\\_id=1143233&search\\_type=simple&showInd=true](http://www.itsanhonour.gov.au/honours/honour_roll/search.cfm?aus_award_id=1143233&search_type=simple&showInd=true)

WO2 Wayne Michael VICKERS CSM, Defence Force School of Signals

[http://www.itsanhonour.gov.au/honours/honour\\_roll/search.cfm?aus\\_award\\_id=1143261&search\\_type=simple&showInd=true](http://www.itsanhonour.gov.au/honours/honour_roll/search.cfm?aus_award_id=1143261&search_type=simple&showInd=true)

SGT Lachlan MCMAHON CSM, 1 Signal Regiment

[http://www.itsanhonour.gov.au/honours/honour\\_roll/search.cfm?aus\\_award\\_id=1143256&search\\_type=simple&showInd=true](http://www.itsanhonour.gov.au/honours/honour_roll/search.cfm?aus_award_id=1143256&search_type=simple&showInd=true)

Regards

*Ted (Blue) Hawkins*

*We take this opportunity to congratulate these three members for their dedication to the cause that has led to these awards.*  
 Ed

# FYI

## FOR YOUR INFORMATION

DISCLAIMER: The thoughts and ideas and any views expressed in the articles of *THURUNKA* are those of the contributors and are not necessarily those of The Royal Australian Signals Association (NSW) Inc. or the staff of *THURUNKA*. Nor are we able to attest to the accuracy of the information so contained. While contributions are welcome not all of them can be published. Those published may be edited for length and clarity. Contributions are acknowledged as from our source, unless otherwise informed. Contributions cannot be returned unless arrangements are made with the Editor prior to or upon submission of the contribution for publication. We encourage contributions and thank those who contribute to the pages of *THURUNKA*.

## Vietnam Vets Pay Homage to Mates

Digby Hildreth

From the pages of *The Northern Star*

16th August 2010

The heartbreaking skirl of pipers from the Lismore City Pipe Band led 30 Vietnam veterans down Lismore's Molesworth Street to Memorial Park on Saturday night.

Drinkers emerged from the Civic Hotel to pay their respects to the returned servicemen as they passed, and to call out to those they knew. The vets, now well into middle age, joined 20 or more others to commemorate those who did not survive the South-East Asian conflict – 520 Australians altogether. About 300 people gathered in the park – family members, well-wishers and dignitaries – to sing and pray and lay wreaths.

Page MP Janelle Saffin, State MP for Lismore Thomas George and Lismore Mayor Jenny Dowell were among the many to offer floral tributes at the going down of the sun. 'Mateship' is the key memory of the war for Ray Collyer, of Wardell, who was an infantry man in Vietnam from December 1966 to December 1967. While he enjoyed the reunion with those comrades who returned from the conflict, the day was also a solemn occasion, he said.

"Every one of us has mates who didn't come back," Mr. Collyer said. "When you hear that Last Post played, you get welled up. Most blokes do."

The day also means 'an awful lot' to Lismore veteran Peter Gooley. "It's a day to remember all the Diggers who died in all the wars, and especially Vietnam," Mr. Gooley said. He was there from 1969-70, and still remembers 'lobbing over there', as a scared 19-year-old conscript, 'not knowing what was going to happen to me'. "But we had to do it," he said.

Vietnam Veteran's Day is held on the nearest Saturday to August 18 each year. The date is also the 44th anniversary of the Battle of Long Tan, the first major fire-fight for the Australian troops. Eighteen were killed in the battle, and 23 wounded.

'Vietnam was the longest operational commitment of Australian forces', said Sheldon Maher, Secretary of the Far



Soldiers stand guard at the Far North Coast's Vietnam memorial in Memorial Park on Vietnam Veterans' Day in Lismore on Saturday. Photo: JERAD WILLIAMS

North Coast Vietnam Veterans' Association. Between mid-1963 and 1975, about 60,000 Australian servicemen and women took part in the war, either directly or in support roles, he said. More than 3000 were brought home maimed or sick, and many have died since as a result of war-related wounds or disease.

"Many others still bear the physical and mental scars of war," Mr. Maher said. He said the North Coast had a huge proportion of Vietnam veterans. For some, the hardships continue.

Mr. Maher said numbers for the march were down on previous years. Many vets just aren't well enough to face it, he says.

# Men's Health

## What is Depression?

Depression is a common mental health condition that may affect as many as one in five Australians during the course of their lives.

Feeling "low" or "down" is a normal response to the occasional stresses and challenges that life presents. However, when these feelings persist and are strong, it may be a sign of depression.

Depression is an illness with serious effects on physical and mental health. It is real, pervasive and, in extreme cases, potentially life threatening.

Depression is usually defined as a sustained period of two weeks or more of feeling sad, down or miserable most of the time, or having lost interest/pleasure in most of your usual activities. These feelings are also accompanied by a change in behaviours, thoughts, feelings and physical health, such as withdrawing from social contact, thinking thoughts of failure or unworthiness, feeling irritable, guilty or un-confident, being tired, ill the time and/or having a change in your appetite.

If you are concerned you may have depression, see a health professional such as a doctor or psychologist to discuss your concerns.

## How can depression be prevented?

**Stay active:** Write an "Activity plan" including all the regular activities you will do each day, such as showering and meals. Fill in the gaps for the rest of the day with other activities.

**Stay connected:** Accept social invitations and make some yourself. Being with other people can make you feel valuable and worthwhile. An important part of your mental health is keeping in touch with family and friends.

**Keep it physical:** Regular exercise is not only good for your body; it's great for your mind as well. Find an activity you enjoy such as walking, swimming, cycling, gardening etc.

**Sleep well:** Often people with depression have trouble sleeping, wake early and have difficulty returning to sleep. Establish good sleeping habits, have a routine time for going to bed. Use the bed only for sleeping and sex, do not read or watch TV in bed.

**Remember: Depression is common and not a sign of weakness.**

From: *Keeping in Touch*, (Winter 2010)  
Official Newsletter of the Toronto RSL sub-Branch.

## Vietnam on Canvas

contains a rich balance of Ken McFadyens life, art and military service in Vietnam. Fellow artist Sandra FINDER Lee has researched Ken McFadyens life, his training as an artist, selection as official war artist and his military training to prepare for his service in Vietnam with the 2nd Battalion, The Royal Australian Regiment.

Sandra weaves the story of Ken McFadyen's paintings into the story of the day to day operations of the Australian Task Force in Vietnam. Sandra describes the subjects Ken McFadyen painted and how he balanced his responsibilities as war artist with his obligations to the soldiers he accompanied.

Finally, Sandra Lee describes Ken McFadyen's work after he returned to Australia and how his service in Vietnam continued to haunt the artist.



**VIETNAM ON CANVAS**

The book contains stylish and purpose designed maps showing the Australian Task Force operational area and the layout at the task force base at Nui Dat as it was when Ken McFadyen arrived there in 1967.

*Members are referred to the letter from Ian Gordon in 'Letters, e-mails and faxes' for ordering details.*

# WEARING OF HEAD DRESS

## The end of an era – the demise of the beret.

*Except under specific authority the general wearing of the beret has been withdrawn. The primary head dress in the Australian Army is the Hat Khaki Fur Felt (KKF). Below is the order that implements the new change.*

*Of course this only applies to serving members; it does NOT apply to associations such as ours whose members wear the beret on their official events, such as ANZAC Day and RFDay.*

## ARMY STANDING ORDERS FOR DRESS WEARING OF HEAD DRESS

Reference:

A. AHQ Minute OCA~OUT/2010/R5218543 dated 30 Apr 10

1. Reference A sought comment from Functional Commands and Heads of Corps on the wearing of head dress - berets in particular - in order to establish a consistent approach across Army. The responses were briefed to CA and then discussed subsequently by CASAC on 11 Jun 10. CA then sought further information to inform the Army Sun Smart policy, which is now in the final stages of development. This Minute advises the final outcomes of this decision process, with greater detail to be provided in the new release of Army Standing Orders for Dress (ASOD).

2. Hat Khaki Fur Felt. CA directed that the Hat Khaki Fur Felt (Hat KFF) is to be Army's primary form of garrison headdress. ASOD will provide revised guidance on the wearing of Corps and regimental hat badges, based on the principle that the Unit Colour Patch (UCP) is the prime identifier of a member's unit with the Corps hat badge being the primary hat badge. The exception will be for MAC, RAINF, Special Forces (SF) and AAAn, in which case 'qualified members' will be authorised to wear regimental hat badges in lieu of Corps hat badges. A 'qualified member' is considered to be a member of the Corps upon which the regiment is based, or in the case of SF units, those individuals who have attained SF qualifications appropriate to that unit. This will mean, for example, that an RANF member posted to NORFORCE will wear the NORFORCE hat badge and UCP, while an RACT member posted to that unit will wear the RACT hat badge and NORFORCE UCP. This policy is to apply to all members of Army.

3. University Regiments. CA has further directed that the wearing of Hat KFF within University Regiments (UR) is to conform to the requirements of paragraph 2. UR are to adopt a model similar to RMC-D, where officer cadets are authorised to wear the relevant UR hat badge and embellishments, while all staff (including COY RSM and training staff) are to wear members' in paragraph 2). These measures are to be implemented by 27 Jan 11.

4. Berets. CASAC was firmly of the view that the health of Army's personnel should not be put at risk through sun exposure as a consequence of heritage considerations involving berets. This outcome emphasises the iconic and quintessentially Australian nature of the slouch hat, while also affording superior sun protection. The new orders relating to the wearing of berets are detailed in enclosure 1, which is an extract from the new version of ASOD.

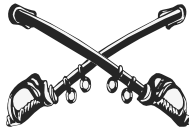
In summary:

- a. Berets are no longer to be worn as headdress with dress of the day by members of the Australian Army, unless otherwise authorised by ASOD.
- b. Berets may be authorised for wearing as headdress with ceremonial orders of dress under specific circumstances.
- c. CA has agreed to exempt members of SOCOMD from this direction under revised policy arrangements. This exemption is on the basis that 'earning the right' to wear the distinctive Special Forces berets remains a central element of the values, culture and underlining ethos of SOCOMD. SOCOMD commanders authorising the wearing of berets will be required to conform strictly to the sun smart principles articulated in the Army Sun Smart policy.

Version of ASOD has been signed by CA and is currently in publishing, for release in early Sep 10.

BRIG  
COFS AHQ  
R I 4-A099  
12 Aug 10

# Military history



## Return to Malaysia

**B**ernie Binge (Linesman), Dudley McKean (Despatch Rider) and myself, Bryan (Jock) Gardiner (Wireless Operator) (all Royal Australian Corps of Signals), were among more than one hundred people who travelled from Australia, NZ and the UK to Malaysia in June 2010 for the 50th anniversary of the end of hostilities of the Malaya Emergency, 1948-1960.

The main commemoration was held at the Kamunting Road Christian Cemetery in Taiping, where 28 Australian servicemen, 4 wives and 8 children are laid to rest. Included in this number are two Sigs-Cpl K V (Jonesy) Jones (19 Sept 1959) and Sig E R (Tiger) Norris (22 March 1958). (In total, there were 65 Australians who gave their lives in Malaysia, Singapore and Borneo).

In addition to those who travelled to Ipoh for the week of observances, there were many dignitaries in attendance at Taiping, including the High Commissioner Designate of Australia, Military Attaches of Australia and New Zealand, representatives from Australian War Graves, and members of the organising committee from Australia and Malaysia, and local VIPs. 324 Squadron of the RAAF and the 2nd/20th training group of the Australian Army brought down more than 150 servicemen and women from Butterworth as an honour guard. The 9th Battalion of Royal Malaysian Rangers provided two buglers. Poppies were provided so all graves of Commonwealth personnel could be honoured.

Other commemorative ceremonies were held at the following locations, and in addition to the above dignitaries, the High Commissioner of the UK and

Ghurkha pipers from Brunei attended:

- The Ipoh (Railway Station) Memorial for those who gave their lives in the first and second world wars, the Malayan Emergency and the Indonesian Confrontation;
- Batu Gajah – Service at the Christian Church and Gods Little Acre Cemetery close by (for wreath laying) honouring those from the first and second world wars and the Malayan Emergency;
- The Ghurkha Cemetery wreath laying and service at the cemetery within the camp of the second battalion of Royal Malaysian Rangers Camp at Syed Putra.

In addition to these commemorative services, there were several public and private celebrations including a lunch at the Taiping New club, a brunch and a cultural show provided by the Perak State Government in Ipoh Town Hall, an Australian Night Dinner hosted by the Australian Federal Government, refreshments and snacks at many stops, and an evening BBQ hosted by a member of the Malaysian Organising Committee (Yunis Ali). In every case, we were made more than welcome, and the various army and air force units we came into contact with could not have been more helpful or gracious for our making the effort to attend the various activities.

In addition to the formal activities, there was plenty of time to relive previous experiences, visit new places, and make new friends. The organising committee had arranged special deals with the Syuen hotel (3-3½ star) in Ipoh, (completely satisfactory) with buffet breakfast included each day. A two-room suite (including breakfast for two) cost about \$70. Drinks in the



Bryan (Jock) Gardiner and Bernie Binge attending the Ipoh Memorial Service.

lounge were also a modest \$3.50 for a beer, whisky or whatever else as far as I could tell (all were RM10).

Travel to/from Ipoh and KL airport was via the Yoyo bus (very comfortable) for about \$12. Fares to/from KL on Air Asia (ex Melbourne, Gold Coast and Perth) are less than \$200 each way. So attending did not cost a fortune, and can form the basis of an extended holiday in the area if so inclined.

By co-incidence, Bernie, Dudley and Bryan were all based in Taiping from 1957-1959, but served on detachment to other places, including Butterworth, Kuala Kangsar, and close to the Thai border.

My personal thanks to Steve Toon (event manager) and all the guys in South Australia and all those who supported the organising committee in Australia and Malaysia for the effort expended and the result achieved. Arrangements for the 2011 trip are already underway, and you can get onto the distribution list by contacting [s.toon@bigpond.com](mailto:s.toon@bigpond.com) or on his mobile 0412 422 760.

*Bryan (Jock) Gardiner*  
[bryan@atlantiscomms.com](mailto:bryan@atlantiscomms.com)

# SIGNALS IN DARWIN

Early in 1942 a complete re-organisation of the communication system in Darwin became necessary. This naturally resulted in a regrouping of the Signals components there. At the time, the AIF was returning from the Middle East and Lt-Col. L J. Hooker was flown to Darwin ten days after his return from the Middle East and allotted the task of organising the Signals requirements for the field forces there. The L of C commitments remained the responsibility of Lt-Col E F Little who was already in the area.

With the Japanese still hammering relentlessly, troop dispositions in the area changed overnight. Lacking in both numbers and equipment, the problem of Signals was serious. The SO-in-C sent Brig Edwards to attend a conference in Northern Territory out of which emerged the formation, a CSCX and his staff and three main Signals units—Northern Territory Force Signals, an L of C Signals and Northern Territory Fortress Signals.

Colonel H J Chardon was appointed as the CSO, Northern Territory and was responsible for the original expansion of the major line project in NT. He in turn was followed by Colonel R Sainsbury and later by Colonel J L McKinlay, who carried out further extensive construction.

After the original conference, there followed days of waiting for the reinforcements of personnel and equipment. In the interim, all tasks were undertaken and completed by the stalwarts of the original 7 MD Signals under Lt-Col E F Little. Eventually the urgently needed personnel arrived from South Australia. This completed No 1 Company and the remainder of Signals NT Force was comprised of some sixty ex-members of Signals 6 Aust Div and the members of a Tank-attack Signals section. At a later date sufficient personnel became available to augment and reorganise the L of C Signals unit. Lt-Col Little was followed later by Lt-Col Scott, and in turn he was succeeded by Lt-Col D. Small.

The L of C Signals unit was responsible for the construction of 2,500 wire miles of permanent line and the manning of Signals centres, as well as the maintenance of all permanent line routes in the NT operational area.

Over and above the big task that the L of C Signals were carrying out in the first six months, the field force Signals manned five Signals centres and 820 miles of tree-slung field cable were constructed and maintained. The field cable work was made possible by the tenacity of Capt H L Thompson, MC. About this time, Light Anti-aircraft and Air Support Control Signals sections were added to the unit.

Prospects of the impending “wet” drove all units to find ground on which to build a home out of materials hewn from the virgin scrub. This made it necessary for everyone to be on deck all day and every day. During the “wet” linemen of all the Signals units in NT toiled continually to replace cables destroyed by lightning and broken by crashed timbers.

It was necessary to design and construct efficient lightning arrestors for the telephones, particularly after several senior officers had been “hit” while speaking on the telephone.

As the pressure eased, thoughts turned towards diversions for both the entertainment and physical fitness of the troops. All Australian sports were represented in this community of the north. Even the most active games were played with the temperature around the century mark. A highlight was the organisation by Signals of the first donkey race meeting held in the Territory.

The career of Signals 12 Aust Div came to an end in September 1943 when it was relieved by the then Signals 1 Aust Div. On completion of the relief, the two units changed names and the erstwhile Signals 12 Aust Div departed for places south, Lt-Col Armstrong became the CO of the new Signals 12 Aust Div.

The new arrivals in Darwin were members of one of the original Militia units. On the outbreak of war, the unit (then Signals 1 Aust Div) was in training at Raymond Terrace, NSW. Numerous exercises were carried out until Japan entered the war, when all Signals sections were marched out to their respective brigades and regiments. Divisional HQ was established at Burwood, NSW and “D” Section manned the Signals Office there. In August 1943, the movement order arrived to despatch the unit to Darwin.

About this time, a new CSO was appointed to take over the Mount Isa and Alice Springs areas and Lt-Col Downey took over these responsibilities. Signals 17 L of C gave out an offshoot of a new unit which became Signals 20 L of C.

As the Jap was driven still farther from Australia there was time for the pursuit of hobbies to relieve the boredom of the north. Home gardeners were well to the fore and most of the huts had their plots of flowers and vegetables. The manufacture of models, rings and necklaces is still being carried on from the “first Zero brought down in the area”.

During the latter portion of the “wet” of 1944, an air of dampness being fashionable, the unit embarked on an amphibious training programme. Personnel on one particular course will not forget a morning when a whole battalion made long and fruitless attempts to put to sea in the folding boats but was consistently washed back by the heavy seas. Signals played a trump card when, led by experienced ex-members of the Manly Surf Club, they proceeded to take their craft through the tricky surf and were soon outside the line of breakers, much to the discomfort of the Infantry struggling on the beach.

From: *SIGNALS – Story of the Australian Corps of Signals*. Halstead Press, 1951.

# The FULLER Telephone

For the technically minded...

*In the last edition of THURUNKA we brought to you the story of the Medhurst Telephone. In this edition we bring you an article that we captured a year or so ago. It is about the FULLERPHONE. In general, members might find this article a bit too technical, but it is an article worth reading for the Fullerphone's ability to overcome technical problems of communications being experienced in the field. Forget your satellites and your mobile phones – the Fullerphone was a great leap forward in field telecommunications in its day.*

## The Fullerphone

by Louis Meulstee, PAOPCR

From the November, 1989 (Vol.30, No.3) OTB

### Introduction

This article covers the history and technical description of a British service Morse telegraph instrument, invented in 1915 by Captain A C Fuller and still in use in WW II.

1915 . . . the British and German armies were densely packed in their trenches, at places only a matter of yards apart. Communication was mainly by telephone and various Morse buzzer telegraph instruments, connected by a single wire and earth return. During mid-1915 the Germans were extraordinarily well informed of Allied plans. Espionage was suspected but an interned British civilian brought back the information that induction from cables led to overhearing. Experiments carried out within the Allied lines left no doubt of the cause of the leakage.

The solution to the overhearing problem came toward the end of 1915 from Captain (later Major General) A C Fuller invented the Fullerphone, a small direct-current Morse telegraph instrument. In October, Fuller brought two prototypes to 5 Corps in Flanders. His invention was tested on a five-mile loop of cable, part of which ran in the water-

filled moat of Ypres with a 10-ohm leak to earth. The prototypes worked well. They were obviously the answer to the problem of overhearing by induction which had brought the British Expeditionary Force almost to a standstill in terms of signals.

### Working principle of the Fullerphone

The Fullerphone is essentially a DC Morse telegraph instrument with high sensitivity. Morse signals can be sent and received by the same instrument, no send-receive switch being used, so "break-in" working is possible. When sending, a very small direct current flows through the line and the receiving instrument. A readable signal is produced with a current of only 0.5 microampere!

To make the DC Morse signals audible, Fuller added an interrupter for changing the steady current into an intermittent current, suitable to produce a tone in a pair of headphones. The result is that dots and dashes sent by the key at the far end are received as short and long notes at the receiving end. Fuller completed the circuit by inserting capacitors and LF chokes to keep the current in the line relatively constant.

### Features of the Fullerphone

Fullerphone signals cannot be overheard by induction or earth leakage and can be tapped only by the direct connection of a similar instrument to the line. The Fullerphone can be used simultaneously with a telephone or buzzer telegraph on the line. Working via leaky or very long cables is possible. However, the normal range for reliable communication under field conditions is 25 to 35 miles. Much greater ranges are possible under special conditions (e.g. open-wire lines in the desert) or by putting in a minor circuit change.

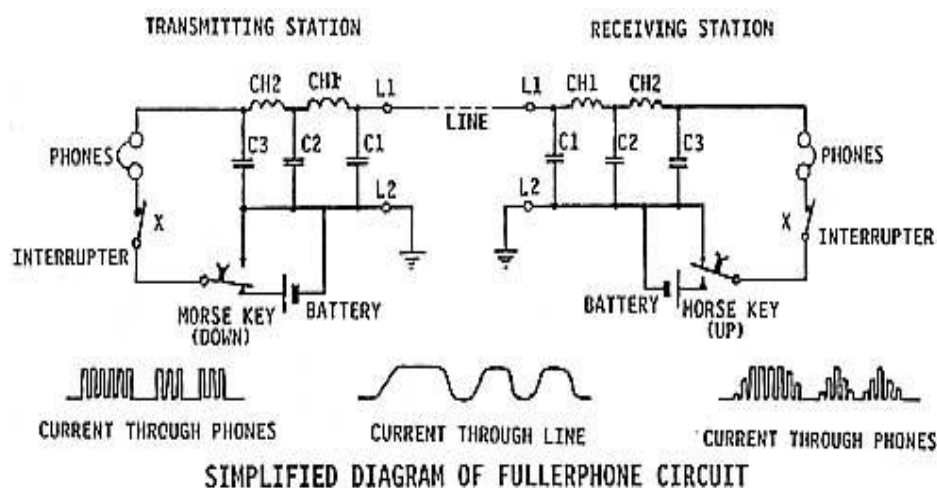
### Detailed Technical Description

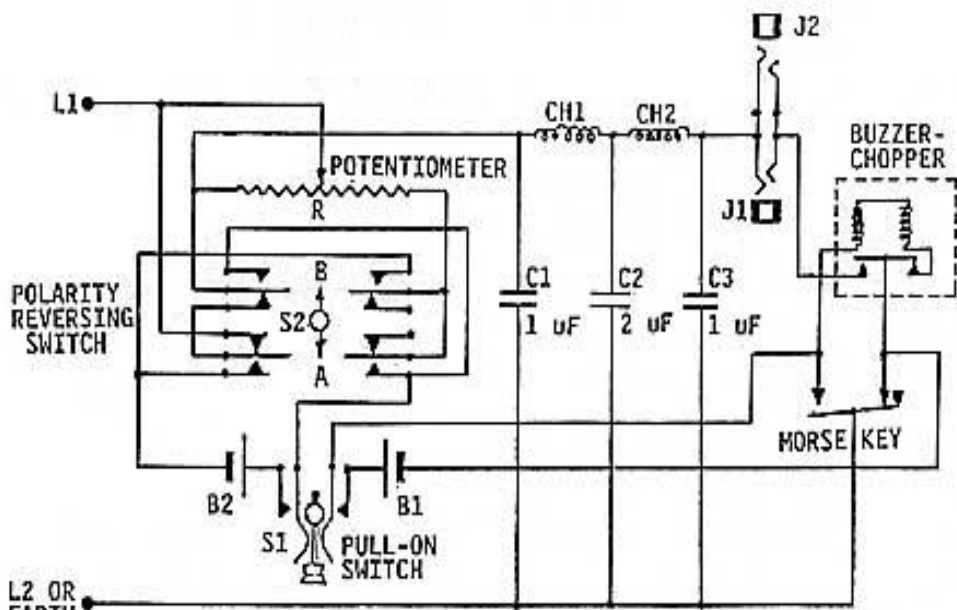
At the sending end, when the Morse key is pressed and the circuit is closed at X, a current flows from the battery, Morse key, X contact of the interrupter, headphones, chokes, and line terminal L1, through the distant station and back via earth to the negative of the battery. At the same time, the capacitors charge up to the battery voltage.

When the circuit is broken at X, no current can flow from the battery. The tone in the sending operator's headphones,

from the 550-Hz chopping rate of the interrupter, stops. Energy stored in the capacitors and chokes slowly discharges. The result is that the sending operator can hear his own signal and judge the strength of the line current. Should the line be cut or the distant operator's interrupter fail, he is immediately notified by hearing musical clicks instead of his own buzzer.

When, at the receiving end, the circuit is closed at X, a steady current will flow to earth through the choke coils, headphones and contact X of the interrupter. If the circuit is broken at X, the current will





CIRCUIT DIAGRAM OF FULLERPHONE Mk IV (1939)

charge the capacitors. When the circuit is again closed at X, they partially discharge through the phones. With a working interrupter X, an intermittent current is received in the headphones, giving an audible note, while (if the chokes and capacitors are suitable) the line current alternately flows through the headphones and into the capacitors, and remains practically constant and continuous on the line.

The arrangement of coils and capacitors not only prevents any appreciable variation in the line current, but also prevents any AC currents (such as produced by induction from other circuits) passing through the operator's headphones. Owing to energy storage in the capacitors and the self-induction of the choke coils, the current in the line can rise only comparatively slowly. This prevents the possibility of Morse signals being read by the enemy from

clicks and prevents these clicks interfering with telephony carried over the same line.

**Interrupter**

The interrupter is a polarized buzzer, operating on 1.5 volts, using one pair of contacts for driving and a second pair for breaking or "chopping." the DC Morse signals of the Fullerphone at a 550-Hz rate.

**Interference**

Difficulties in working the Fullerphone were almost invariably due to interference from small currents being picked up by the line from earth potentials, earth faults, or leakage from other circuits. This interference could be balanced out very effectively at the receiving end by producing a current of equal strength but of opposite direction

to the earth current. A potentiometer R, dry cell B2, and reversing switch S2 were provided for this purpose.

**Models of Fullerphones**

Initial issues of Fullerphones were made up from converted "DIII" field telephone sets. This type was, however, not the most successful. During WW I a variety of different models of the Fullerphone was provided; some of the variations were to use existing parts while others reflected modifications to make the instrument more suitable for use in the trenches. After 1918 improvements and modifications on the Fullerphone were carried out. The basic principle, however, never changed. During 1939 a newly designed Mk IV model went into service. It was more sensitive than its predecessors, with a more easily adjustable buzzer/interrupter, and simpler to use as it carried no telephone set. Small modifications, such as radio-interference suppression of the buzzer and insertion of a crash limiter across the phone jacks to limit line static, were carried out on the Mk IV model.

In 1943 a 'tropicalized' version was issued. This Mk V model had a similar circuit but 'tropicalized' components. The Mk VI Fullerphone, the last type built, was completely 'tropicalized' and immersion-proof.

The Italian Army copied the Fullerphone in the early Thirties, producing an "apparado da campo per telegraphia inintercettabile." The circuit is like the British version but lacks the line-balancing potentiometer.

**Construction Details**

WW I models were mainly constructed on a steel frame, fitted in a wooden box, covered with waterproof canvas. Fullerphones Mk IV, V and VI were housed in an aluminium case, which, in turn, slides on guides in a wooden carrying case. The MK VI slides in a metal case with a watertight gasket on the lid, so that the case, when closed, is immersion-proof.



Fullerphone Mk. V

## Use of the Fullerphone in WW II

Though designed as a 'non-overhearable' signal instrument for static warfare in trenches, the Fullerphone was widely used during WWII for its other features, viz, the ability to work simultaneously with a telephone on the same line and the possibility of operating through long and leaky lines where telephone traffic was impossible.

In the southwest Pacific, the Australians made extensive use of the Fullerphone. It more than lived up to its reputation when used in New Guinea. The result, a considerable saving of cables at a time when men and supply were scarce, was fully recognized by the forces.

Cases arose where a submarine cable circuit was available but the necessary telegraph terminal equipment was found totally destroyed or was not immediately available. To ascertain to what extent Fullerphones could be used on submarine cables of various lengths, trials were carried out in 1943 by Cable & Wireless Ltd at request of the British War Department. The results exceeded any expectation; ranges of up to 700 miles were obtained with faint but readable Morse signals at a maximum of 20 words per minute.

## The Fullerphone on Display

The Royal Signals Museum at Blandford Camp, near Blandford Forum, Dorset, UK, is open to the public during weekdays. Most of the Fullerphones mentioned above are on display.

## Acknowledgements

I am indebted to Major Harfield and Mr. Evans of the Royal Signals Museum at Blandford Camp for their help and for allowing me to publish drawings.

*The Fullerphone, Its Action and Use*, HMSO 1917.

Signal Service Diagrams, 1917.

R. Priestly, *The Signal Service* (France), 1922.

*Signal Training, Vol. 3, Pamphlet No. 3*, HMSO, 1923.

*Signal Training, Vol. 3, Pamphlet No. 21*, HMSO, 1939

*Signal Equipment Used by Enemy Nations*, SRDE, 1944.

*Australian Corps Of Signals, Signals*, 1944.

"Jimmy," *The Magazine of the Royal Signals in the Middle East*, 1944.

*D. Signals monthly liaison notes*, 1943-45.

*EMER's 632*, 1945.

Nalder, *British Army Signals in the Second World War*, RSI, 1953.

Various letters and documents in the Royal signals Museum.

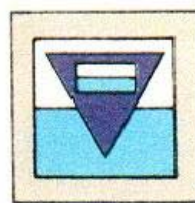
L. Meulstee, Fullerphone, HRSA Newsletter,

By Louis Meulstee, PAOPCR

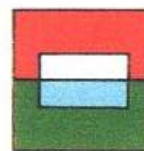
## Signals Colour Patches

*I was asked by an ex-member of the 17<sup>th</sup> Australian Line of Communications Signals if I had any info on the colour patch for 17 Aust L of C. In my research I found virtually every colour patch used by the Australian Army from their inception in 1915 up to 1951 (the reference is stated below). Also are the colour patches pertaining to Sigs units: 17 Aust L of C, 18 Aust L of C, 19 Aust L of C and 20 Aust L of C. Colour patch 'D' was also worn by 21 Aust L of C through to 27 Aust L of C Sigs units. I have not included the colour patches for other Aust L of C Sigs units or the six PMG L of C units, although I do have the info. I hope to finalise my research and include them in a future edition of THURUNKA. The information is included as general information...Ed.*

Ref: Glyde, Keith. 'Distinguishing Colour Patches of the Australian Military Forces 1915 - 1951'  
ISBN: 0-6460-36660-8



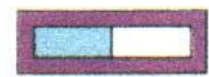
A



B



C



D

- A 7th MD Sigs (1942)  
NT L of C Sigs (1942 - 1943)  
17th Aust L of C Sigs (1943 - 1944)
- B 17th Aust L of C Sigs (1944 - 1945)  
20th Aust L of C Sigs (1944 - 1945)
- C 18th Aust L of C Sigs (1943 - 1946)  
19th Aust L of C Sigs (1943 - 1946)
- D Australian Corps of Signals (1944 - 1948)  
Royal Australian Corps of Signals (1948 - 1951)

## *Letters, e-mails and faxes*



### **BARRALLIER BOOKS** *Deluxe Books and Fine Writing*

Royal Australian Signals Association NSW  
MAJ (ret) Chris Ballantine  
13 Mitchell Rd  
MOSMAN NSW 2088

*13 July 2010*

*Dear Chris,*

Sandra Lee has asked me to publish her biography of Australian official war artist Ken McFadyen. Ken McFadyen served in Vietnam from July 1967 until May 1968, attached to the 2nd Battalion, The Royal Australian Regiment. He was one of two Australian official war artists who deployed with the Australian Task Force during the Vietnam War.

Ken McFadyen painted three of our Signals Corps paintings and these are included in the book, along with detailed accounts of how each was painted. I am very grateful for the support I have had from the Corps and for permission to use the Corps paintings.

*Vietnam on Canvas, Ken McFadyen: an Artist at War*, is now being printed and I plan to launch it this coming spring in Melbourne. It contains 58 images of Ken McFadyen's paintings and charcoal sketches. The book's 230 mm x 230 mm format gives full effect to Ken McFadyen's realistic and tonal style paintings and sketches. I have enclosed a brochure announcing the book. It will be a deluxe, limited edition production and will be sold through the Barrallier Books on-line shop.

I hope that you would bring this important book to the attention of your Association members who may want to reserve a copy before the publication date.

A gallery of images and maps from the book, a PDF version of the brochure and two sample chapters are available on my website: [www.vietnamoncanvas.com](http://www.vietnamoncanvas.com). Copies of the limited edition deluxe publication can also be reserved at this site. Please contact me at: [books@barrallierbooks.com](mailto:books@barrallierbooks.com) - if you would like more information.

*Regards,*

*Ian Gordon*

---

Ian Gordon *Publisher* 0405 587 800  
[books@barrallierbooks.com](mailto:books@barrallierbooks.com) [www.barrallierbooks.com](http://www.barrallierbooks.com) 40 Barrallier Street Griffith ACT 2603 Australia

*Many of us remember November because we attended the RASIGS re-union in Vietnam last year. Well, now is the time to remember. We are fast approaching the first anniversary of the re-union, and therefore, November.*

*I asked Gregg for contact details for those members and others who wish to donate to the LORETO Vietnam Australia Program and help the children and REMEMBER NOVEMBER....ED.*

*Gregg responds...*



*Hi Guys and Gals,*

## REMEMBER NOVEMBER

Well, it is several months since you came over to Vietnam to enjoy "a fabulous" RASIGS Reunion 2009,

Your words not mine. Many of you thought we should continue to help the kids of Vietnam through the LORETO Vietnam Australia Program through Sister Trish Franklin, AO, and many of you came up with the name of REMEMBER NOVEMBER.

Well, now is your chance to assist Trish with her endeavours to make life for these kids much more bearable with a little help again from you all.

For those of you that have not been brought up to date with what we have done so far, with the help of you all, here is a breakdown:

With the assistance of Mal Fergusson and Steve Uppington you managed to buy a laptop for a blind child at the Nguyen Dinh Chieu Blind School and also donate 5 million dong to the school for assistance to the children.

Donated 30 bicycles to poor kids in District 9 to assist them get to school a lot easier than having to walk the extra distance.

Steve and Irene Uppington donated 2 commercial fridges to the Nguyen Dinh Chieu School for the blind.

The wheelchair we donated to Trish was forwarded to another association which deals primarily with kids in wheelchairs, which we thought was a better idea.

All excess merchandise was also given to LORETO and there were enough small t-shirts to give one to each of the kids who played the drums at the Corps Dinner.

Many of you have already made additional private donations/pledges to Trish.

To make REMEMBER NOVEMBER work for us we need you to send a donation as small or large as you like to LORETO in the month of NOVEMBER. Please log onto the web site below to choose your method of donating/payment: Add REMEMBER NOVEMBER to your payment...

<http://www.loretovietnam.org/main/index/260>

Thanks for your continued support of this wonderful INGO (International Non-Government Organisation) and Sister Trish Franklin, AO.

With the very best of wishes,

*Gregg*

Gregg Dickson  
Saigon Vietnam

Gregg Dickson  
B7B.7.5  
Phu My Apartments  
Hoang Quoc Viet  
P. Phu My, Q7  
Ho Chi Minh City  
VIETNAM  
Home: 84 8 6263 9231  
Mobile: (84) (0) 903 127 460  
Mobile OZ 0417 434 674

### REMEMBER NOVEMBER

Children's Charity - LORETO Vietnam Australia

Programme: [www.loretovietnam.org](http://www.loretovietnam.org)

We highly recommend and exclusively use Vietland Holiday for in-country tours of Vietnam

Contact Thai: [travel@vietlandholiday.com](mailto:travel@vietlandholiday.com) or [www.vietlandholiday.com](http://www.vietlandholiday.com)

We stay at the Vinh Hung Hotel and Resort in Hoi An - VIETNAM: [www.vinhhungresort.com](http://www.vinhhungresort.com)

## Tail-end Charlie

# The Victoria Cross

Australia's highest Military Honour



Of all the orders and decorations open to members of the Australian Defence Force, the Victoria Cross remains the most honoured, the most coveted. It marks its wearer 'as one possessing supreme courage', a disregard for danger and complete devotion to duty.

The Victoria Cross (VC) was instituted on 29 January 1856 and was made retrospective from 1 August 1854.

Prior to the Crimean War, there was no recognised gallantry medal, but the individual deeds in that war made the creation of such an award, available to officers and men alike necessary.

The Victoria Cross, according to the Instituting Royal Warrant establishing rules and ordinances governing its bestowal, shall only be awarded for the most conspicuous bravery or some daring or pre-eminent act of valour or self-sacrifice or extreme devotion to duty in the presence of the enemy.

In the Commonwealth of Australia Gazette No. 525 Monday 4 February 1991, the Victoria Cross took its place as the highest Australian award in the Australian System of Honours and Awards. It may be awarded to members of the Defence Force or other persons determined by the Minister of State for Defence. Bars are awarded for further similar acts of bravery. The Victoria Cross may also be awarded posthumously and recipients are entitled to use the letters VC after their names.

The design remains identical in every way to the British award, a Maltese Cross in bronze adorned by a crown surmounted by a crowned lion, the emblem of the British royal family, in the centre, with a scroll bearing the inscription, 'For Valour'. On the reverse is inscribed the date of the action. The name and regiment of the holder are inscribed on the back of the suspension bar. The ribbon is red for all Services, although until July 1918, the Royal Navy used the blue ribbon.

### List of Australians Awarded the Victoria Cross

Adapted from: *They Dared Mightily* by Lionel Wigmore et al, published by the AWM 1986.NB.

The location of some of these Victoria Crosses may have changed since this book was published.

#### Boer War

BELL FW  
BISDEE JH  
HOWSE NR  
MAYGAR LC  
ROGERS J  
WYLLY GG

#### World War 1

VCs earned at Gallipoli are identified by \*\*

AXFORD TL  
BEATHAM RM  
BIRKS F  
BLACKBURN AS  
BORELLA A  
BROWN WE  
BUCKLEY AH  
BUCKLEY MV  
BUGDEN PJ  
BURTON AS \*\*  
CARROL J  
CARTWRIGHT G  
CASTLETON CC

CHERRY PH  
COOKE T  
CURREY WM  
DALZIEL H  
DARTNELL WT  
DAVEY P  
DUNSTAN W  
DWYER JJ  
GABY AE  
GORDON BS  
GRIEVE RC  
HALL AC  
HAMILTON JP \*\*  
HOWELL GJ  
INGRAM GM  
INWOOD RR

JACK AA \*\*  
 JACKSON JWA  
 JEFFRIES CS  
 JENSEN JC  
 JOYNT WD  
 KENNY TJB  
 KEYSOR LM \*\*  
 LEAK J  
 LOWERSON AD  
 MACTIER R  
 MAXWELL J  
 MCCARTHY LD  
 McDOUGALL SR  
 McGEE L  
 McNAMARA FH  
 MOON RV  
 MURRAY HW  
 NEWLAND JE  
 O'MEARA M  
 PEELER W  
 POPE C  
 RUTHVEN W  
 RYAN J  
 SADLIER CWK

SEXTON G  
 (AKA BUCKLEY MV)  
 SHOUT AJ \*\*  
 STATTON PC  
 STORKEY PV  
 SYMONS WJ \*\*  
 THROSSELL HVH \*\*  
 TOWNER ET  
 TUBB FH \*\*  
 WARK BA  
 WEATHERS LC  
 WHITTLE JW  
 WOODS JP

#### **Russia**

PEARSE SG  
 SULLIVAN AP

#### **World War 2**

ANDERSON CGW  
 GORDON JH  
 MACKEY JB  
 CHOWNE A  
 GRATWICK PE  
 MIDDLETON RH

CUTLER AR  
 GURNEY AS  
 NEWTON WE  
 DERRICK TC  
 KELLIHER R  
 PARTRIDGE FJ  
 EDMONDSON JH  
 KENNA E  
 RATTEY RR  
 EDWARDS HI  
 KIBBY WH  
 STARCEVICH LT  
 FRENCH JA  
 KINGSBURY BS

#### **Vietnam War**

BADCOE PJ  
 PAYNE K  
 SIMPSON RS  
 WHEATLEY KA

#### **Afghanistan War**

DONALDSON MG

When worn, the Victoria Cross takes precedence over all other awards, and is positioned to the far left of any medal group.

The Cross has, from the first, been made by Messrs Hancock, London jewellers and is hand fashioned. The metal used is taken from the guns captured from the Russians at Sebastopol during the Crimean War 1854-56.

The glorious fellowship of the Victoria Cross remains unique; it has no order or chapel. The insignia is a small bronze cross costing a few dollars. It is confined to no caste, imposes no religious requirement nor colour bar. In the words of the Warrant 'Neither rank nor long service, nor wounds, nor any other circumstance or condition whatsoever, save the merit of conspicuous bravery' shall entitle a man to the award. The Cross has been granted to 13 persons of non-British origin, including three Danes, a German, a Swiss, a Belgian and one Ukrainian.

The first presentation of the new decoration was made by Queen Victoria in Hyde Park on 26 June 1857, when 62 sailors and soldiers received the award.

The Prince Consort conceived the idea, but the Queen herself was personally responsible for much of the rest. She altered 'For the Brave' to 'For Valour' and ordered that the Cross should be awarded only 'to those officers and men who have served us in the presence of the enemy'.

The first Australian to earn the Victoria Cross was Captain (later Sir Neville) Howse for rescuing a wounded man on 24 July 1900 while serving as an officer of the NSW Army Medical Corps during the South African War 1899-1902 (Boer War). As at March, 2002, the youngest Australian to be awarded the Victoria Cross was Private JWA Jackson VC, who was 18 years 9 months.

Prior to 1975, Australian service personnel were awarded gallantry, bravery and distinguished service awards under the Imperial system. Included in the new award system was the Victoria Cross for Australia (VC).

On 2 September 2008, TROOPER MARK GREGOR DONALDSON WAS AWARDED THE FIRST VICTORIA CROSS FOR AUSTRALIA for most conspicuous acts of gallantry in action in a circumstance of great peril in Afghanistan.

From 'Keeping in Touch' - Winter 2010.  
 Newsletter of the Toronto RSL sub-Branch.



# Royal Australian Corps of Signals Sergeants Mess



## **OLDS AND BOLDS 2010 - MESS REUNION**

On behalf of the PMC and members of the RASIGS Sergeants Mess, I have the honour of inviting you and your partner, to the annual Olds & Bolds, Mess Reunion to be held on **Saturday, 30 October 2010 at 1400hrs.**

As in past years, there are activities planned for the evening that will allow you to reflect on past 'good times' and to venture into the current equipments and operations of the Corps. As the reunion is set down for the Melbourne Cup weekend, the following is the planned itinerary:

- **Friday 29 October 2010 – Halloween (Pizza night - pay as you order)**
- **Saturday 30 October 2010 – Olds and Bolds Reunion**
- **Monday 01 November 2010 – Melbourne Cup Calcutta**
- **Tuesday 02 November 2010 – Chicken and Champagne Brunch, Melbourne Cup function**

The day will start at 1400hrs with the opportunity to use the Weapon Training Simulation System (WTSS), a visit to the renovated RASigs museum, and your last opportunity to visit the Defence Force School of Signals as you know it and to find your photo on the wall. You will be able to see the new school which is due to be finished by May 2011. The evening will include a buffet in the Mess along with the usual opportunities to share tales amongst comrades of times gone by.

**There is a charge of \$25 per person for the evening.** This cost is inclusive of the buffet and a complimentary drink or two. A cheque in advance is required, made payable to:

### **RASIGS Sergeants Mess**

**Limited accommodation is available at a charge of \$17.45 per night transit fees and a one-off \$13.30 admin fee.** You may not be accommodated in the SGT's mess however we will endeavour to find a pillow for your head. This is to be paid to the bar on collection of keys.

The standard of dress for the function will be as per mess rules, i.e. neat casual attire (tie optional). A collared shirt is required and clean jeans in good repair are allowed.

**Track shoes/runners are not permitted.**

**RSVP: IF ATTENDING....Please obtain, complete and return the attendance pro-forma indicating which events you will be attending, prior to Friday 15<sup>th</sup> October 2010.**

**The proforma, along with a cheque, is to be sent to:**

**Olds and Bolds Returns Manager  
SGT Robert Fisher  
RASIGS Sergeants Mess  
Simpson Barracks  
MACLEOD VIC 3085**

**Phone (03) 8481 7627**

**Please note: this is a Tri-Service mess function for WOs, SNCOs, former Mess members and spouses.**

**Keep up to date with any changes on the RASigs Page on Facebook, Or**

**<http://home.vicnet.net.au/~rasigsau/index.htm>**

---

**Please note:** This information has been modified by the Editor specifically to suit the pages of THURUNKA.

All enquiries are to be directed to the *Olds and Bolds Returns Manager* at the RASIGS Sergeants' Mess, (contact details above). This information is included at the request of the RASIGS Sergeants' Mess and is done so in good faith.

**Should you wish to attend please contact the Olds and Bolds Returns Manager at the RASIGS Sergeants' Mess for an Attendance pro-forma.**

**Royal Australian Corps of Signals Sergeants Mess**

**Olds and Bolds Reunion**

**30<sup>th</sup> October 2010**

**Attendance Proforma**

|   |   |                       |                 |
|---|---|-----------------------|-----------------|
| <b>Title / Rank</b>                             |   | <b>Serving (ARES)</b> | <b>Yes / No</b> |
| <b>Surname</b>                                  |   | <b>First Name</b>     |                 |
| <b>Initials</b>                                 |   | <b>Preferred Name</b> |                 |
| <b>Telephone No(s)</b>                          |   | <b>Mobile No:</b>     |                 |
| <b>Email address</b>                            |   |                       |                 |
| <b>Preferred contact method (please circle)</b> | <b>Telephone / Mobile / Email address</b> |                       |                 |
| <b>Retain details on information lists</b>      | <b>Yes/No</b>                             |                       |                 |

**Please indicate your attendance circling Yes or No:**

| <b>Event</b>   | <b>Attendance</b> |           | <b>Cost</b>              |
|--|-------------------|-----------|--------------------------|
| <b>30 Oct 10 - Halloween - 1600-2359 hrs</b>   | <b>Yes</b>        | <b>No</b> | <b>Only what you eat</b> |
| <b>31 Oct 10 - WTSS, Museum, DFSS 1400-1700 hrs</b>  | <b>Yes</b>        | <b>No</b> | <b>nil</b>               |
| <b>31 Oct 10 - Olds and Bolds reunion 1900 till late (\$25 per person)</b>   | <b>Yes</b>        | <b>No</b> |                          |
| <b>01 Nov 10 - Calcutta 1730 hrs</b>   | <b>Yes</b>        | <b>No</b> | <b>nil</b>               |
| <b>02 Nov 10 - Melbourne Cup 1030 hrs</b>  | <b>Yes</b>        | <b>No</b> | <b>nil</b>               |
| <b>Total cost:</b>   |                   |           |                          |
| <b>Accommodation required @ \$17.45 per night for single plus a once off \$13.30 admin fee (to be paid on arrival)</b> | <b>From:</b>      |           | <b>To:</b>               |

**Please ensure that accommodation is paid separate to events**

-----  
**Please note:** This information has been modified by the Editor specifically to suit the pages of THURUNKA. All enquiries are to be directed to the *Olds and Bolds Returns Manager* at the RASIGS Sergeants' Mess, (contact details above). This information is included at the request of the RASIGS Sergeants' Mess and is done so in good faith.



## The Royal Australian Corps of Signals Association (SA) Inc

### 2010 Annual Formal Dining-In Night

The President of the Royal Australian Signals Association (SA) Inc. and the Officer Commanding 144th Signal Squadron have great pleasure inviting you and your partner to join us at the 2010 Annual Formal Dining-In Night.

Date: Saturday 9<sup>th</sup> October 2010

Time: 1900 for 1930, Seated NLT 1930

Location: Building 34A

Keswick Barracks

Keswick SA 5012

Cost: Association members and spouse/partner \$30.00 pp

Non-members \$35.00 pp

Dress: Mess Dress (if appropriate)

or

Gentlemen: Coat and Tie

Ladies: Evening Dress

Medals to be worn

RSVP: NLT Monday 20<sup>th</sup> September 2010 to:

RASigs Assn (SA)  
PO Box 881  
Kent Town SA 5071

M: 0417 227 533

E: [president.sa@rasigs.com](mailto:president.sa@rasigs.com)

W: <http://www.rasigs.com/>

Please advise your intentions ASAP to help us arrange catering.

- Notes:
1. Our Guest Speaker for the evening will be the RASigs Head of Corps, Major-General Michael Milford AM.
  2. The night is also a farewell to some members of the squadron on deployment.
- .....

**Please note:** This information has been modified by the Editor specifically to suit the pages of *THURUNKA*. All enquiries are to be directed to the *RASigs Assn (SA)* (contact details above). This information is included at the request of the RASigs Ass'n (SA) and is done so in good faith.

**Should you wish to attend please contact the RASigs Assn (SA) for an Attendance pro-forma.**



**The Royal Australian Corps of Signals Association (SA) Inc**

**2010 Annual Formal Dining-In Night**

**Attendance Proforma**

Number of persons attending: \_\_\_\_\_

(Enclose cheque/money order - \$30 pp Association Members & Partners or \$35 pp non-members)

Regimental Number & Title/Rank: \_\_\_\_\_

Retired/Serving (ARA/ARES)/Civilian: \_\_\_\_\_

Christian Name(s): \_\_\_\_\_

Surname: \_\_\_\_\_

Address: \_\_\_\_\_

Phone (h): \_\_\_\_\_

Phone (w): \_\_\_\_\_

Phone (m): \_\_\_\_\_

E-mail (h): \_\_\_\_\_

E-mail (w): \_\_\_\_\_

Regimental Number & Title/Rank: \_\_\_\_\_

Retired/Serving (ARA/ARES)/Civilian: \_\_\_\_\_

Christian Name(s): \_\_\_\_\_

Surname: \_\_\_\_\_

Address: \_\_\_\_\_

Phone (h): \_\_\_\_\_

Phone (w): \_\_\_\_\_

Phone (m): \_\_\_\_\_

E-mail (h): \_\_\_\_\_

E-mail (w): \_\_\_\_\_

**Please note:** This information has been modified by the Editor specifically to suit the pages of *THURUNKA*. All enquiries are to be directed to the *RASigs Assn (SA)* (contact details above). This information is included at the request of the *RASigs Ass'n (SA)* and is done so in good faith.

# Royal Australian Signals Association (NSW) Inc.

## NOTIFICATION OF 2010 ANNUAL GENERAL MEETING

Members are hereby notified that the Association's Annual General Meeting will be held **at 1230 hrs, Sunday 14<sup>th</sup> November 2010** at the **Paddington RSL Club, Oxford Street, Paddington** (opposite Victoria Barracks).

If anyone be considering nominating for the committee, please contact either the President or Secretary for a brief on duties.

Written nomination for the below listed positions are to be received by the Secretary no later than cob Friday 31<sup>st</sup> October 2010.

### AGENDA

1. Apologies
2. Confirmation of previous AGM minutes
3. Matters arising from previous minutes
4. Correspondence relating to the AGM
5. President's Annual Report
6. Presentation of Annual Financial Statement and Auditor's Report.
7. Appointment of Interim Chairman
8. Election of office bearers
  - President
  - Vice-President
  - Secretary/Public Officer
  - Treasurer
  - Membership Officer
  - Editor Thurunka
  - Publisher Thurunka
  - Committee members
9. Appointment of Honorary Auditor
10. Annual membership fees for 2010/11.
11. General Business.

Michael McEvoy  
Secretary  
RASigs Ass'n (NSW) Inc.

---

### NOMINATION FORM 2010/2011 - RASigs Association (NSW) Inc.

I wish to propose financial member .....for the position of.....

Signature of Proposer.....

Signature of Seconder.....

I agree to the nomination.....  
(Signature of Nominee)

Post to Secretary, RASA (NSW) Inc 13 Mitchell Road MOSMAN NSW 2088

**ROYAL AUSTRALIAN SIGNALS ASSOCIATION (NSW) INC**  
**FINANCIAL STATEMENT FOR YEAR ENDED 30 JUNE 2010**

| <b><u>INCOME</u></b>  | <b>This Year \$</b> | <b>Last Year \$</b> |
|-----------------------|---------------------|---------------------|
| Members Subscriptions | 1890                | 2300                |
| Sale of merchandise   | 370                 | 458                 |
| Interest Received     | 1                   | 204                 |
| Sundry Income         | 9                   | 336                 |
|                       |                     |                     |
| <b>Total Income</b>   | <b>2270</b>         | <b>3298</b>         |

| <b><u>EXPENDITURE</u></b>                | <b>This Year \$</b> | <b>Last Year \$</b> |
|--|---------------------|---------------------|
|  |                     |                     |
| Newsletter Expenses                      | 627                 | 715                 |
| Admin & Allowances                       | 746                 | 732                 |
| Committee Expenses                       | 444                 | 583                 |
| Grants & Donations                       | 275                 | 250                 |
| Wreaths & Presentations                  | 217                 | 259                 |
| Depreciation                             | 381                 | 247                 |
| Merchandise                              | 588                 | 0                   |
| Banners & Equipment                      | 2629                | 0                   |
| Provision for Committee Expenses 2008/09 | 0                   | 140                 |
| <b>Total Expenditure</b>                 | <b>5907</b>         | <b>2926</b>         |
| <b>Net Surplus/(Loss)</b>                | <b>(3637)</b>       | <b>372</b>          |

**MEMBERS FUNDS**

Represented by:

|                                 |                 |                   |
|---------------------------------|-----------------|-------------------|
| St George Bank. CB Bal. 30/6/10 | \$ 1132         |                   |
| Term Deposit St George Bank     | \$10,000        |                   |
| Association Equipment           | \$ 2838         |                   |
| Merchandise O/H @ cost          | <u>\$ 855</u>   |                   |
| <b>Total Members' Funds</b>     | <b>\$14,825</b> | (2009 - \$15,528) |

Allan Johnston  
Honorary Treasurer  
09 August 2010

-----

**AUDITORS REPORT.**

To the members of The Royal Australian Signals Association (NSW) Inc.

I have examined the financial records of the Association kept by and presented to me by the Honorary Treasurer and have conducted tests and reconciliations of these records and accounts.

I have obtained all the information and explanations requested from these accounts and records in order to express an opinion on them to the members of the Association.

I am informed that the Association is a Non-Profit organisation and is exempt from Income Taxation liability whilst it conducts and promotes its affairs within the applicable regulations of the Income Taxation Act.

Although the Association had a reported Loss for the year of \$3637, the actual 'operating loss' was substantially less when Capital expenditure (New Banner), Stock purchases and Depreciation are excluded. In addition, the transfer of the Bank Account surplus to a 12 month Term Deposit has delayed interest income until the next years accounts.

I am satisfied that the accounts appear to record and explain correctly the transactions and financial position of the Association for the year ending 30th June, 2010.

Robert J Eaglesham  
Hon. Auditor.  
10th August 2010